

# VKBA 6966

Technical Bulletin #1 - 2009

CHASSIS



DAIHATSU Applause, Charade, Copen, Cuore, Move, Sirion, Trevis, YRV - 1.0, 1.3, 1.6



Replacement of VKBA 3293 by VKBA 6966



VKBA 6966 covers newer applications using a torque nut and also existing applications already covered by VKBA 3293 using split pin and locking washer.

## VKBA 6966

Component	Quantity
Bearing	1
Circlip	1
Split Pin	1
Nut	1

## VKBA 3293 COVERAGE

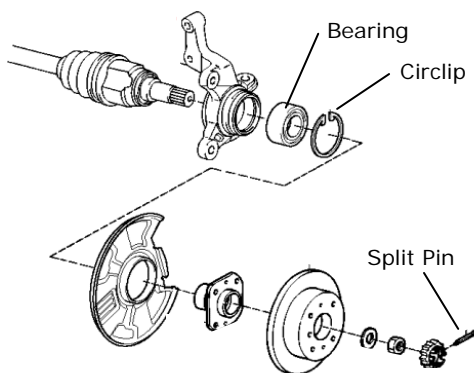
Applause	1.6
Charade	1.0

## VKBA 6966 COVERAGE

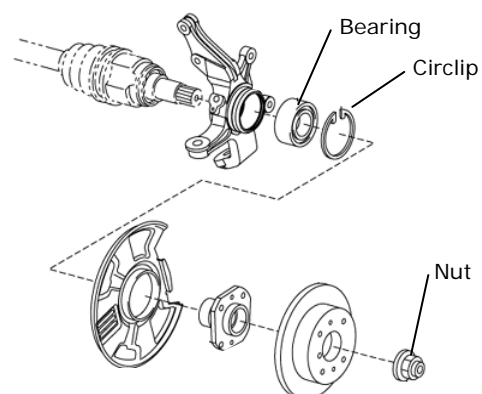
Applause	1.6
Charade	1.0
Copen	0.7, 1.3
Cuore	1.0
Move	1.0
Sirion	1.0, 1.3
Trevis	1.0
YRV	1.0, 1.3



VKBA 3293 covered existing applications using split pin



VKBA 6966 covers existing applications using split pin or nut



Install Confidence

[www.vsm.skf.com](http://www.vsm.skf.com)

